

T-3610 Pneumatic Low Limit Thermostat

Features

- **Ball Type Control Port for Increased Accuracy**
- **New Lever with Reinforced Edges for Increased Linearity**
- **Adjustable Sensitivity and Set Point Dial**
- **Integral Hypodermic Needle Test Point**

The T-3610 Pneumatic Low Limit Thermostat is a low volume controller designed to maintain a minimum air temperature. Pneumatic

feedback is incorporated into the controller design to provide an exact proportional relationship between the measured temperature and the control pressure.

Models are available for unit ventilator duct mounting applications with an 8 ft (244 cm) liquid filled averaging element or an 18 in. (46 cm) liquid filled rigid stem element. Both elements provide air temperature control with minimum variation in response to the average temperature sensed by the element.

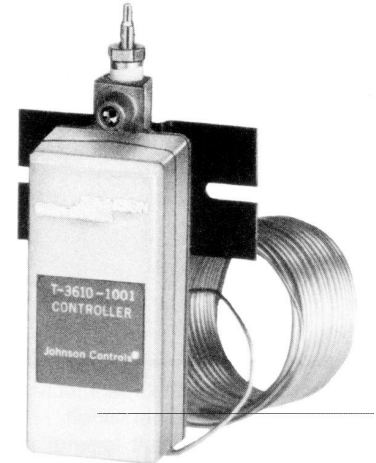


Fig. 1: T-3610-1001 Pneumatic Low Limit Thermostat

Specifications

Product	T-3610 Pneumatic Low Limit Thermostat	
Models	T-3610-1001	8 ft. (244 cm) Averaging Element and Duct Mounting Bracket
	T-3610-1002	18 in. (46 cm) Rigid Stem Element for Unit Ventilator Mounting
	T-3610-1003	18 in. (46 cm) Rigid Stem Element and Duct Mounting Bracket
Action	Proportional, Direct Acting	
Element Operating Range	0 to 270°F (-18 to 132°C)	
Sensitivity Range	Adjustable from .25 to .75 PSI/F° (3 to 9 kPa/C°), Factory Set at Approximately .5 PSI/F° (6 kPa/C°)	
Set Point Range	Adjustable from 0 to 270°F (0 to 132°C) at 8 PSIG, Factory Set at Approximately 57°F (14°C)	
Supply Pressure	20 PSIG (140 kPa) Nominal, 25 PSIG (175 kPa) Maximum, Air Supply Must Be Clean, Dry, and Oil Free	
Air Consumption	45 SCIM (12 mL/s)	
Temperature Limits	-20 to 150°F (-29 to 66°C)	
Air Connection	1/8 in. NPT Barbed Fitting for 5/32 or 1/4 in. O.D. Poly tubing	
Materials	Body	Die Cast Aluminum with Iridite Finish
	Cover	ABS Plastic
	Element	Copper
Accessories (Order Separately)	R-3710 Series .007 in. Restrictor	
	T-275-101 Averaging Element Holder	
Shipping Weight	T-3610-1001	1.5 lb (.68 kg)
	T-3610-1002	1.0 lb (.45 kg)
	T-3610-1003	1.0 lb (.45 kg)

The performance specifications are nominal and conform to acceptable industry standards. For application at conditions beyond these specifications, consult the local Johnson Controls office. Johnson Controls, Inc. shall not be liable for damages resulting from misapplication or misuse of its products.

Operation

As the temperature at the element increases or decreases, the liquid in the element expands or contracts and moves a diaphragm in the controller. This diaphragm movement is transmitted through a system of levers to open or close a control port. The pressure increases or decreases accordingly and the feedback diaphragm along with the element provides an accurate linear response in direct proportion to the sensed temperature change.

Mounting

For unit ventilator applications, the T-3610-1002 with 18 in. (46 cm) rigid stem element is furnished with a temperature resistive plastic mounting bracket. Mount the controller on the panel adjacent to the discharge air plenum inside the end compartment. Insert the rigid stem element through the

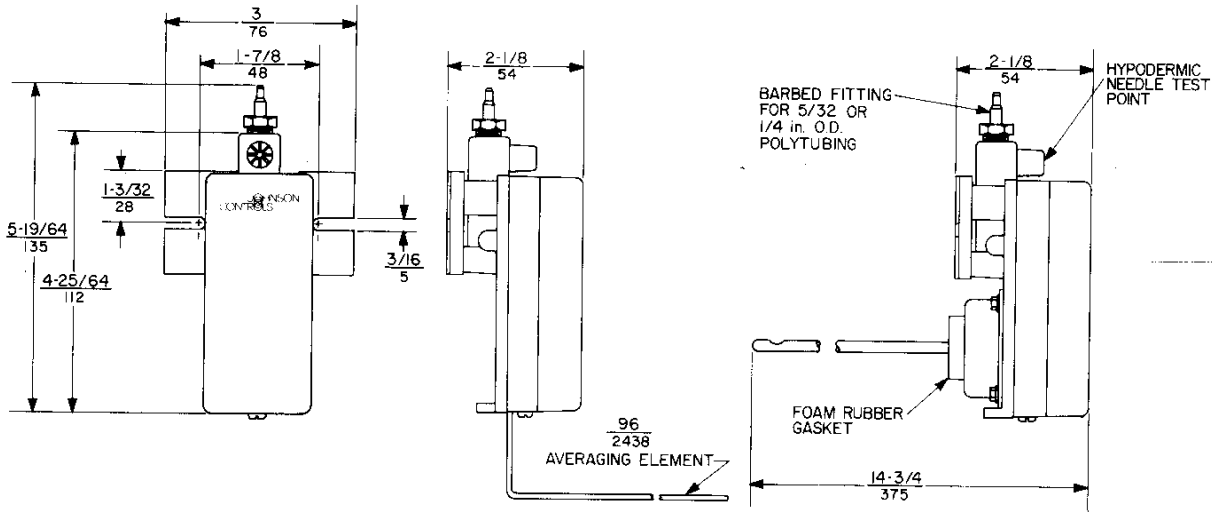


Fig. 2: T-3610-1001 & T-3610-1003
Dimensions in./mm

hole provided by the manufacturer. Fasten the flat washer when necessary and conduit locknut on the discharge air plenum side of the panel. Access to the plenum can be obtained by removing the top or front panel of the unit ventilator.

For duct applications, the T-3610-1001 with 8 ft. (244 cm) averaging element is furnished with a steel support bracket. Mount the thermostat on the top or side of the duct with the element extending into the duct. Insert the averaging element through a hole in the duct and serpentine the element across the entire coil. Averaging element holders are furnished to attach the element to the coil fin if necessary. The T-3610-1003 with 18 in. (46 cm) rigid stem element is available with a steel support bracket for duct mounting. A foam rubber gasket is provided on the controller to seal off the hole in the duct.

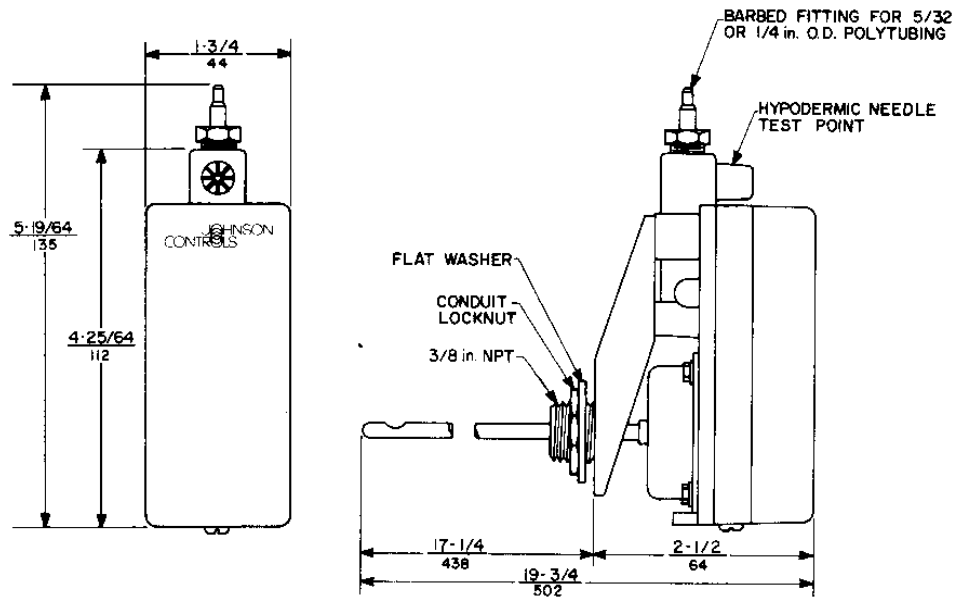
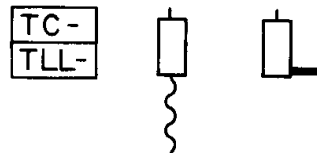


Fig. 3: T-3610-1002 Dimensions in./mm

Application and Drawing Identification



Repair Information

Field repairs must not be made. For a replacement T-3610, contact the nearest Johnson Controls branch office. Replacement covers are available, order T-5210-602.

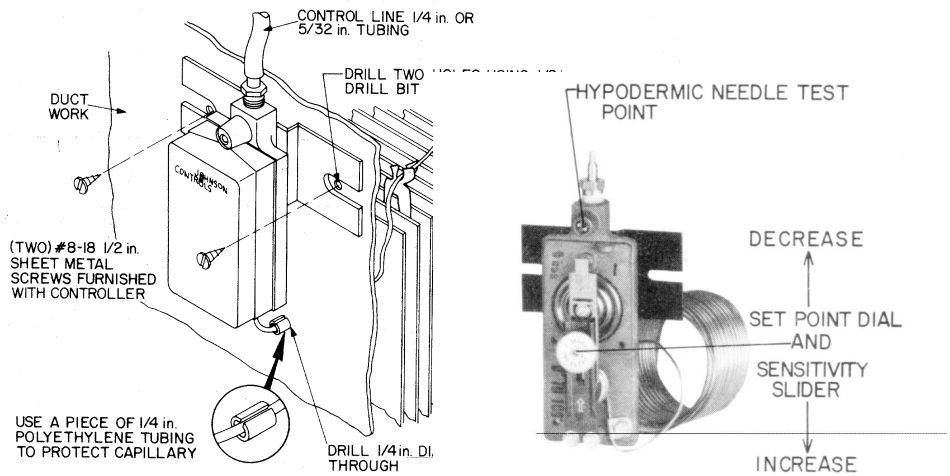


Fig. 4: Typical Mounting of T-3610-1001

Fig. 6: T-3610 with Cover Removed

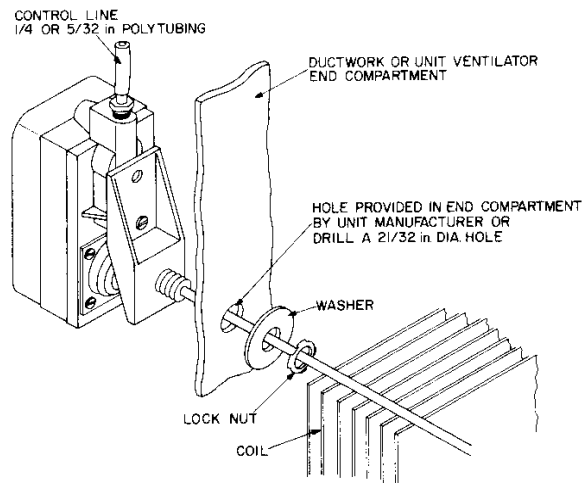


Fig. 5: Typical Mounting of T-3610-1003

Operational Checkout

The T-3610 is factory calibrated for 57°F (14°C) at 8 psig (56 kPa). If the instrument is out of adjustment, proceed as follows:

1. Note the temperature at the sensing element.
2. Turn the set point dial until the output pressure is at the mid spring range of the controlled device.
3. Turn the set point dial to the desired set point. Each graduation represents 2 F°.

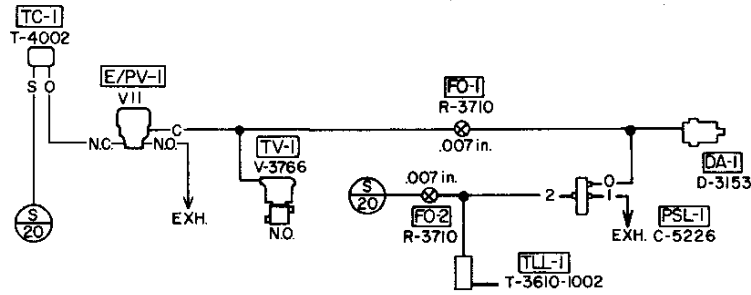


Fig. 7: Typical Unit Ventilator Application using T-3610-1002

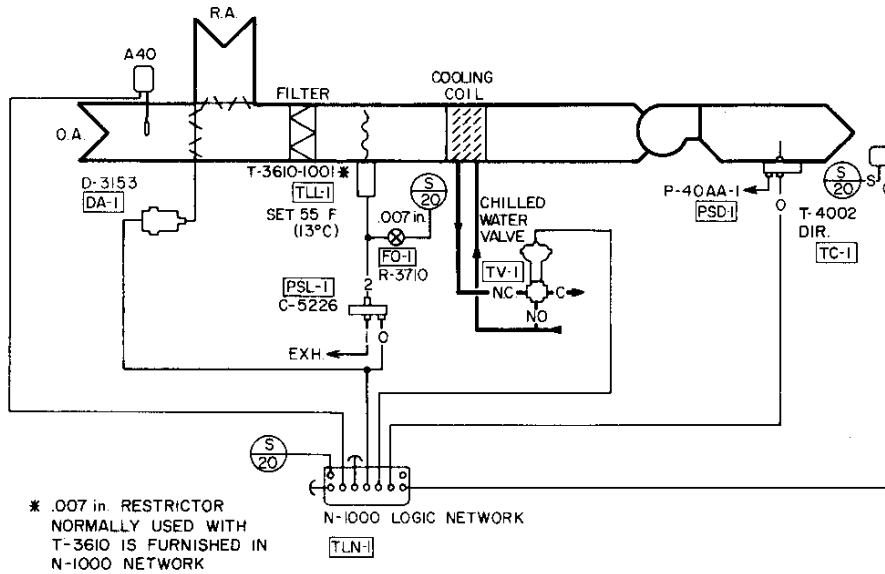


Fig. 8: Typical Application using T-3610-1001

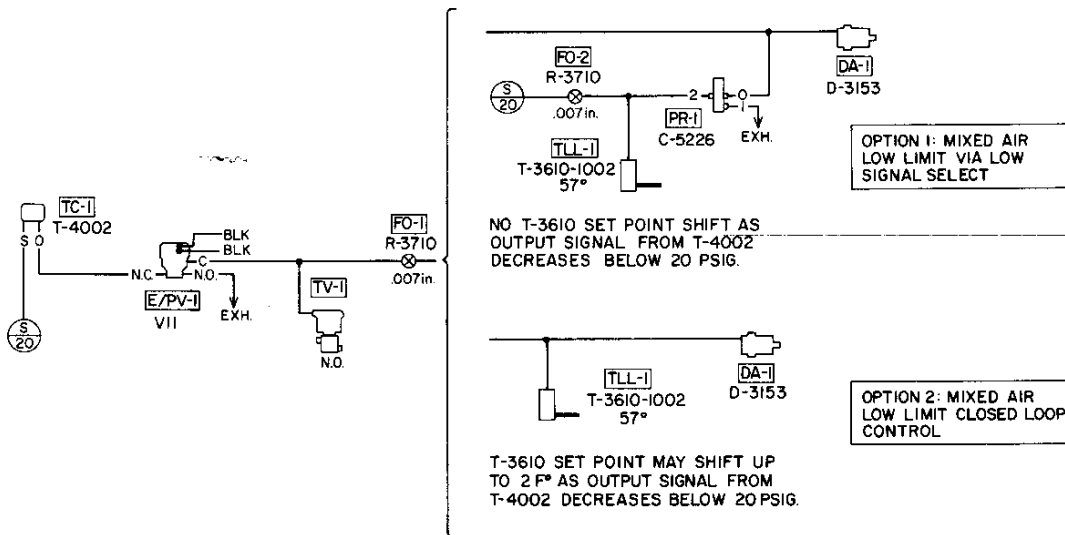


Fig. 9: Low Limit Options

JOHNSON
CONTROLS

Controls Group
507 E. Michigan Street
P.O. Box 423
Milwaukee, WI 53202

Printed in U.S.A.